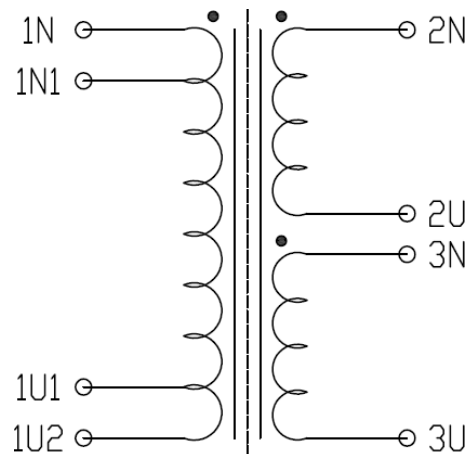


MARINE MULTITAP TRANSFORMER
PRIMARY : 380-400-440-460 V
SECONDARY: 115/230 - 110/220 V

TRANSFORMER TECHNICAL DATA

1. Power	VA	Between 100 VA and 4000 VA
2. IEC Standars		IEC 61558
3. Primary voltage	V	380-400-440-460
4. Frequency	Hz	50/60
5. Secondary voltage	V	115/230-110/220
6. Electrostatic screen between P-S	Y/N	Y
7. Cooling	Type	AN
8. Windings	Type	Dry
9. Material windings	Type	Copper
10. Installation	Type	Indoor
11. Insulation class	Type	F
12. Temperature rise	Type	F
13. Insulation level	kV	1.1/3/-
14. Ambient temperature	°C	-5°/+55°
15. Protection rating	Type	IP-00



PRIMARY CONNECTION

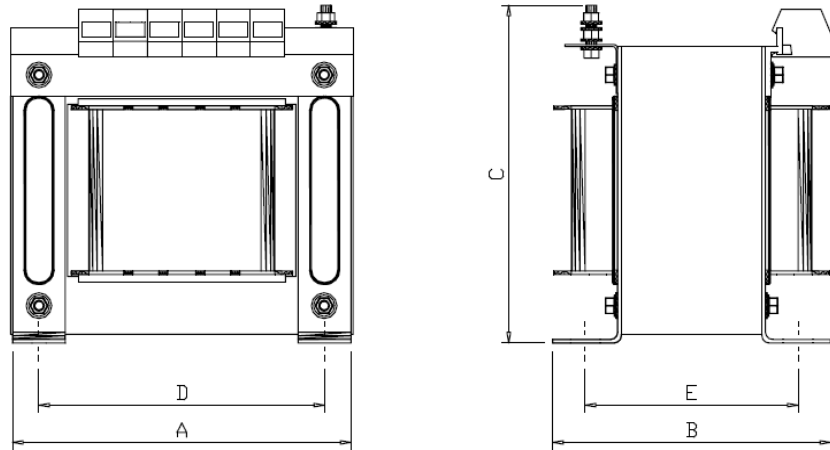
V ratio	380/2*115	380/2*110	400/2*115	440/2*115	440/2*110	460/2*115
INPUT	1N1-1U1	1N-1U1	1N-1U1	1N1-1U2	1N-1U2	1N-1U2

SECONDARY CONNECTION

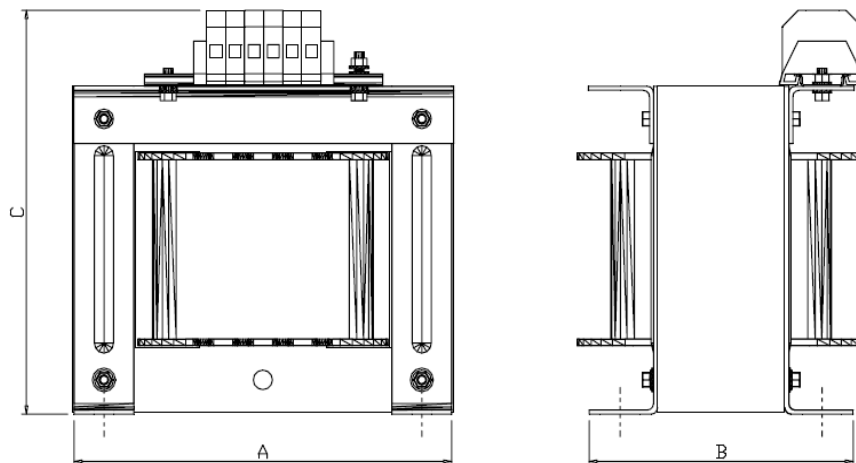
Secondary V	110 or 115	220 or 230
Links	2N-3N; 2U-3U	2U-3N
OUTPUT	2N-3U	2N-3U

Below drawings are not “as built” and may deviate from the final product.

*=drawn A



**=drawn B



POWER	Dimensions (mm)					Weight(Kg)
	A	B	C	D	E	
100 VA*	96	105	100	80	65/77	3
150 VA*	108	105	110	90	64/84	4
200 VA*	126	115	127	105	61/93	5
250 VA*	126	115	127	105	61/93	5
300 VA*	126	120	127	105	68/100	5.7
500 VA*	150	130	147	125	70/104	8
1000 VA*	180	150	172	150	84/117	14
2000 VA*	192	200	186	162	114/148	23
3000 VA**	240	200	250	200	112/142	32
4000 VA**	240	250	250	200	152/182	45